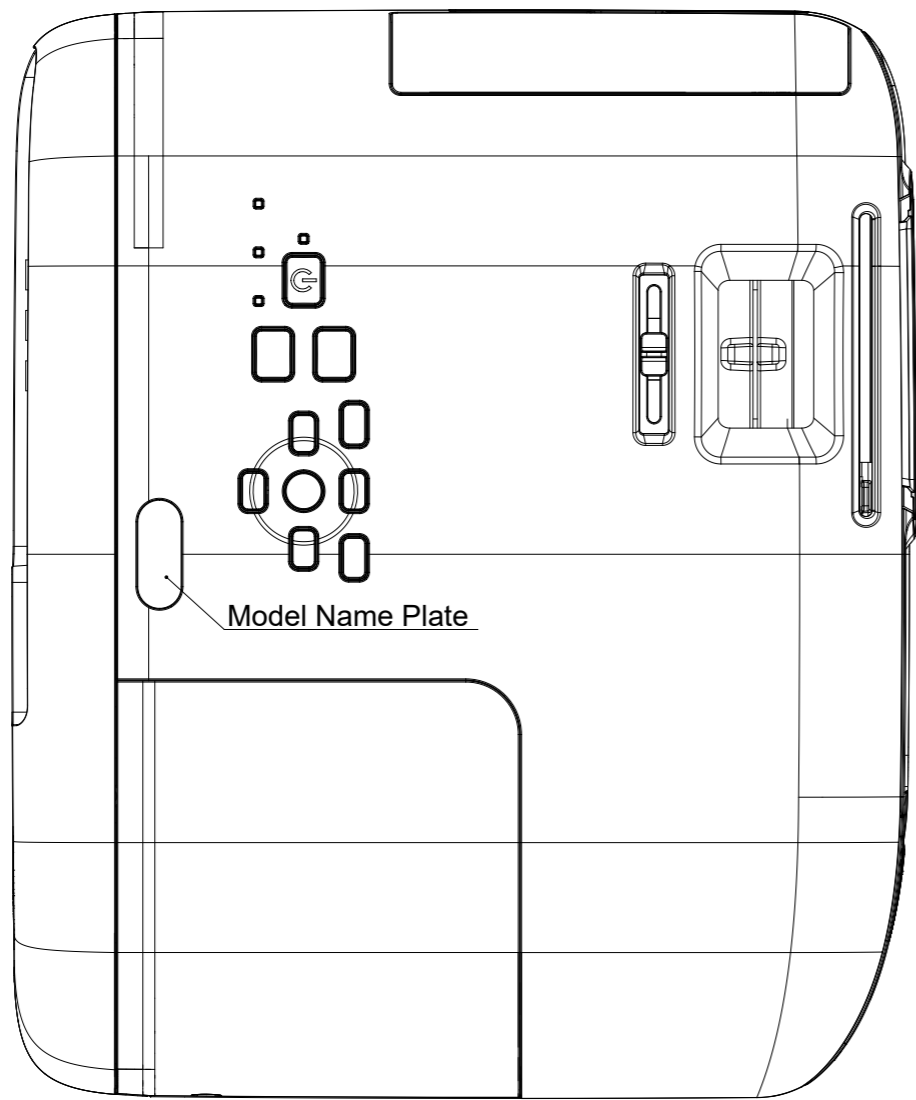
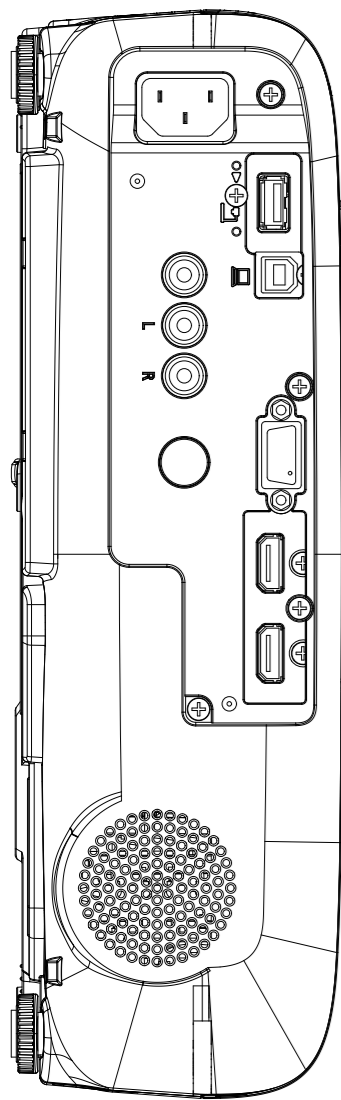
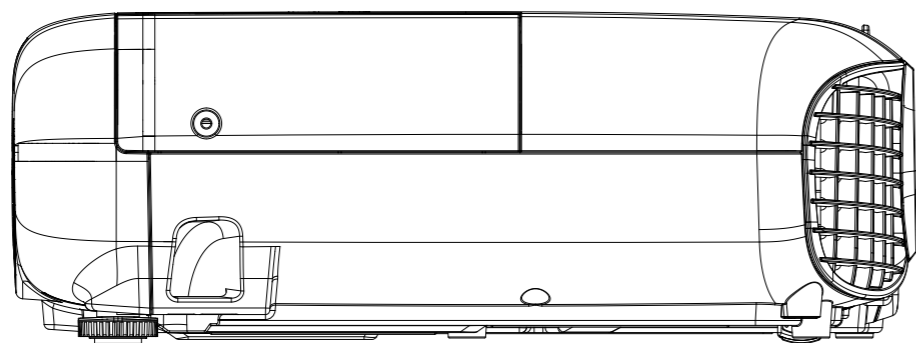


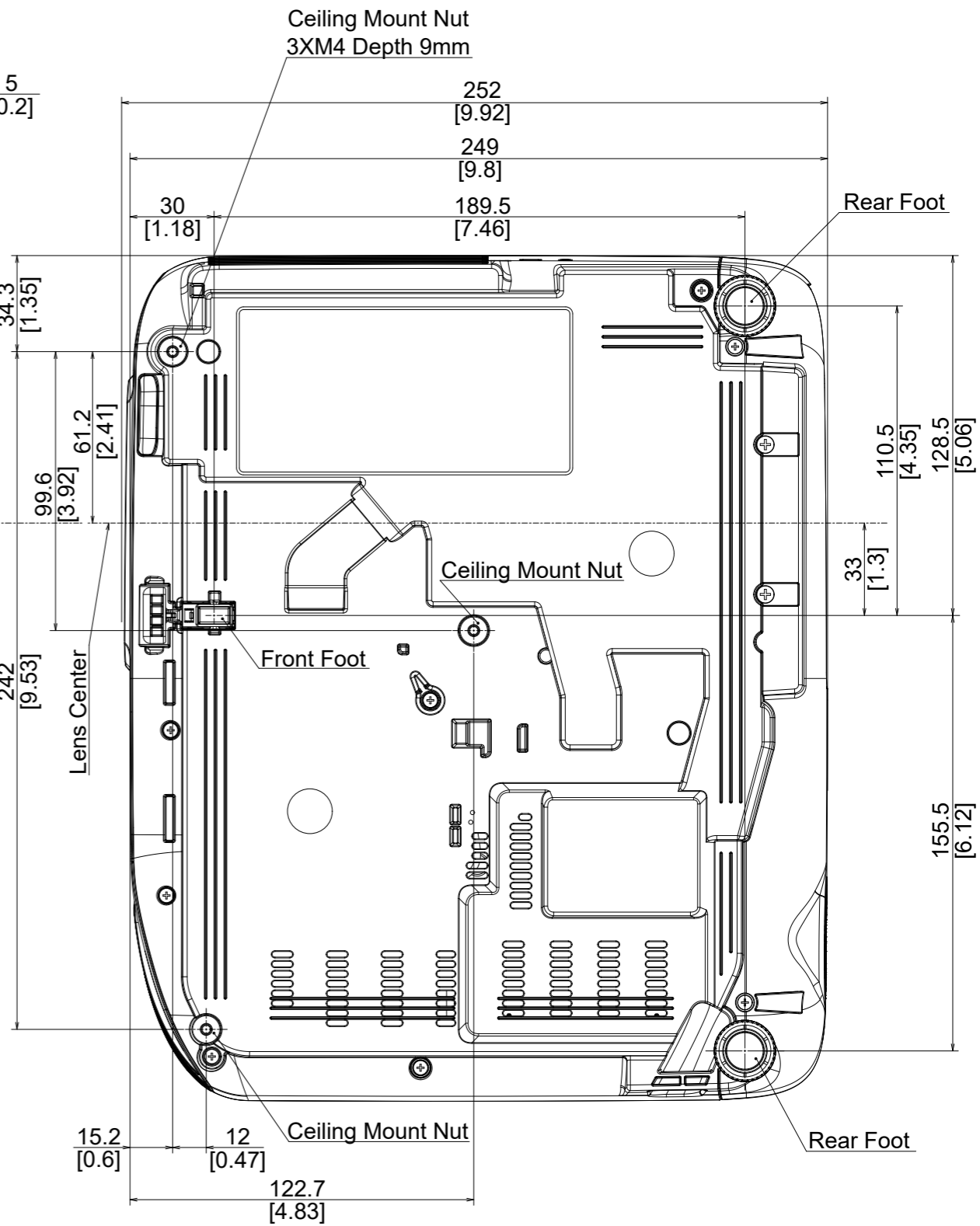
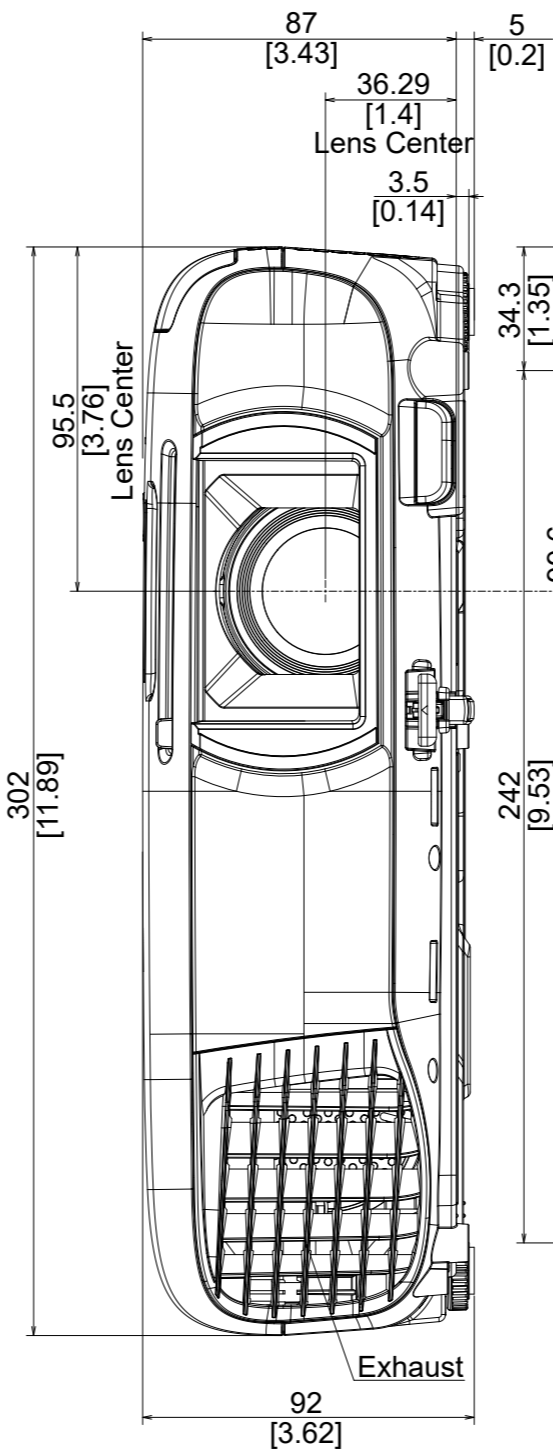
Air Intake



Model Name Plate



Exhaust



(Note)
Unit of Dimension
Upper : mm
Lower : [inch]